

# Flow Control Valve HON 530



PRODUCT INFORMATION

**Serving the Gas Industry  
Worldwide**

**Honeywell**

## Flow Control Valve HON 530

Application, advantages, technical Data

### Advantages

- electrically-driven main valve
- high flow rate coefficients
- up to DN 100/200 with incorporated SAV
- valve sleeve with pressure compensation
- noise reducing outlet duct as a standard feature
- characteristic curve: equal percentage (hyperbolic) and linear
- sensitive PI regulation
- approved by DVGW

### Application

- for flow and pressure control
- suitable for natural gas and all non-corrosive gases

TECHNICAL DATA	
<b>Main Valve</b>	
max. inlet pressure	100 bar (DN 250/250 and DN 300/300, 250 bar)
size (other sizes upon request)	- body with flow diversion: DN 50/100, DN 80/150, DN 100/200, DN 150/300, - body with axial flow: DN 200/300, DN 250/250, DN 300/300, DN 400/600
connection	for $p_{\max}$ 250 bar, flanged according to ANSI 1500 RJ, ANSI 900 RJ in DN 250/250 and DN 300/300, otherwise flanged to ANSI 600 RF and ANSI 900 RJ
valve sleeve	- with pressure compensation - with ceramic coating for less friction and optimal accuracy
bubble-tight shut-off on zero flow	rubber sealing
noise reducing outlet	standard feature
<b>Actuator</b>	
voltage	230V, 50 Hz or 400V, 50 Hz (DN 200 and larger: only 400V, 50 Hz)
power supply	0,5 - 1,5 kW (depending on size)
explosion protection	E Ex edib II CT4
power transmission	gearbox
adjusting time	between 68 - 620 s depending on task
stroke limiting switches	standard feature
torque limiting switches	standard feature
electric control	with frequency converter
valve position indicator	potentiometer 5 k $\Omega$ or 0/4 - 20 mA signal

FLOW RATE COEFFICIENT KG IN M <sup>3</sup> /H (FOR NATURAL GAS, $\rho_N = 0,83 \text{ KG/M}^3$ )								
inlet/outlet	50/100*	80/150*	100/200*	150/300	200/300	250/250 PN250	300/300 PN250	400/600 PN250
KG-value (without SAV)	2000	5100	8000	15000	23000	24000	26000	80000
KG-value (with SAV)	1300	4600	7200	-	-	-	-	-

\* additional use of a noise reducing outlet may decrease the KG-value by 10%.

APPROVED BY DVGW	
DVGW-reg.-no.:	DG4301AL0007

ADJUSTABLE RANGES OF SAV-MEASURING UNITS TO BE COMBINED WITH INTEGRATED SAFETY CUT-OFF VALVE (ONLY APPLICABLE FOR DN 50/100 TO DN 100/200)								
actuator	setpoint spring			overpressure release		underpressure release		response precision category**
	no.	colour	wire dia. in mm	setting range	minimum differential between response pressure and normal service pressure*	setting range	minimum differential between response pressure and normal service pressure*	
				W <sub>HO</sub> (bar)	$\Delta p$ (bar)	W <sub>HU</sub> (bar)	$\Delta p$ (bar)	
K10a	1	yellow	2,5	0,050 ... 0,100	0,050			10/5
	2	bright red	3,2	0,100 ... 0,250	0,050			10/5
	3	dark red	3,6	0,200 ... 0,500	0,100			5/2,5
	4	white	4,75	0,400 ... 1,500	0,250			5/2,5
	5	light blue	1,1			0,010 ... 0,015	0,012	15
	6	white	1,2			0,014 ... 0,040	0,030	15/5
	7	black	1,4			0,035 ... 0,120	0,060	5
K11a/1	1	bright red	3,2	0,400 ... 0,800	0,100			10/5
	2	dark red	3,6	0,600 ... 1,600	0,200			10/5
	3	white	4,75	2,500 ... 8,000	0,300			5/2,5
	4	light blue	1,1			0,060 ... 0,150	0,050	15/5
	5	black	1,4			0,120 ... 0,400	0,080	5
	6	red	2,25			0,350 ... 1,000	0,100	5
K11a/2	2	white	4,75	2,500 ... 8,000	0,500			10/5
	6	red	2,25			0,900 ... 2,200	0,400	15/5
K16	0	blue	3,2	0,800 ... 1,500	0,100			2,5
	1	black	4,5	1,000 ... 5,000	0,200			2,5/1
	2	grey	5,0	2,000 ... 10,00	0,400			1
	3	brown	6,3	5,000 ... 20,00	0,800			1
	4	red	7,0	10,00 ... 40,00	1,200			1
K17	2	grey	5,0			2,000 ... 10,00	0,400	5
	3	brown	6,3			5,000 ... 20,00	0,800	5
	4	red	7,0			10,00 ... 40,00	1,200	5
K18	1		9,0	20,00 ... 90,00	1,500			1

\*) note: if actuators are used with both overpressure and underpressure release, then the min. gap between the two setpoints has to 10 % larger than the sum of the two differential values ( $\Delta p_o + \Delta p_u$ ).

\*\*) The higher response precision category is valid for the first half, the lower response precision category is valid for the second half of the setting range.

# Flow Control Valve HON 530

## Design and function

The flow control valve HON 530 works combined with electronic flow- or pressure-controlling regulating systems. It is used specially where great flow values have to be achieved at minimal pressure differentials. Two different designs are used:

### main valve DN 50/100 up to DN 150/300

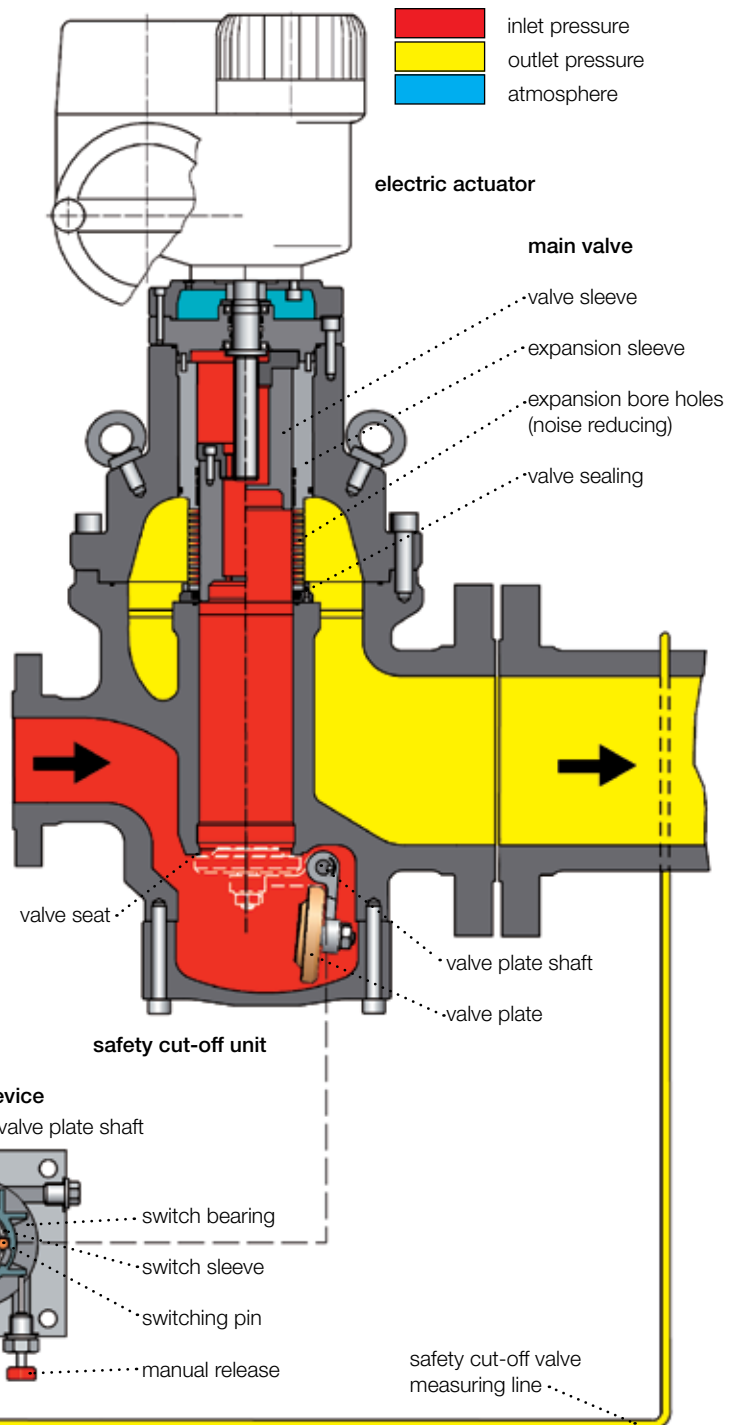
For size up to DN 100/200 two different body versions are available:

- body without safety shut-off device (body of HON 502).
- body with integrated safety shut-off device (body of HON 503).

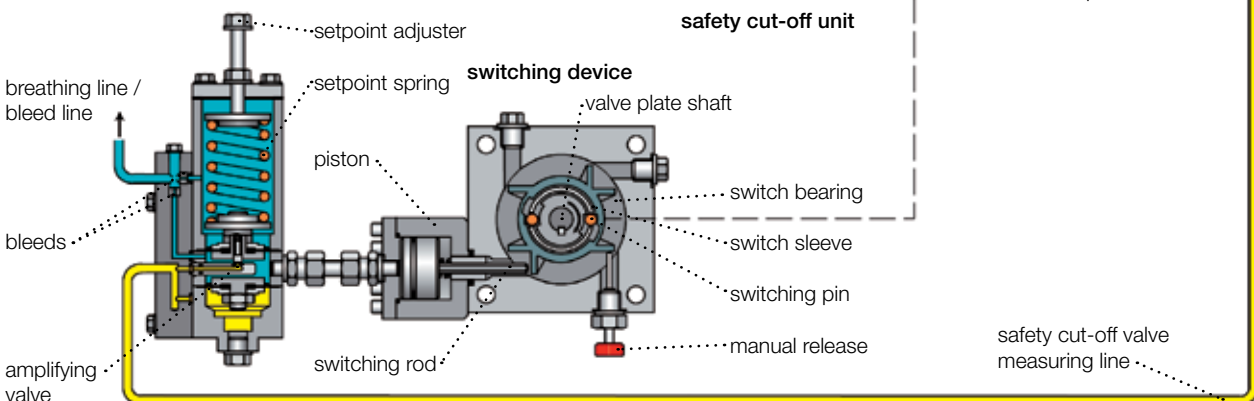
The electric actuator mounted on top of the main valve pushes the valve sleeve into the required position via a threaded axle. For sizes DN 80/100 and DN 100/200 identical actuators and valve sleeve parts are used. The max. valve sleeve opening corresponds to the inlet diameter. Rubber sealings guarantee a bubble-tight shut-off when the valve is closed.

The special arrangement of the expansion bore holes provide a equal percentage (hyperbolic) and linear characteristic curve. The bore holes also guarantee a noise reduction of up to 15 dB(A) compared to standard valve arrangements with valve plate and valve seat. Further noise reducing elements can be added, thus reducing the noise level up to 30 dB(A). Please note that these elements also reduce the flow rate (KG-value) by 10%.

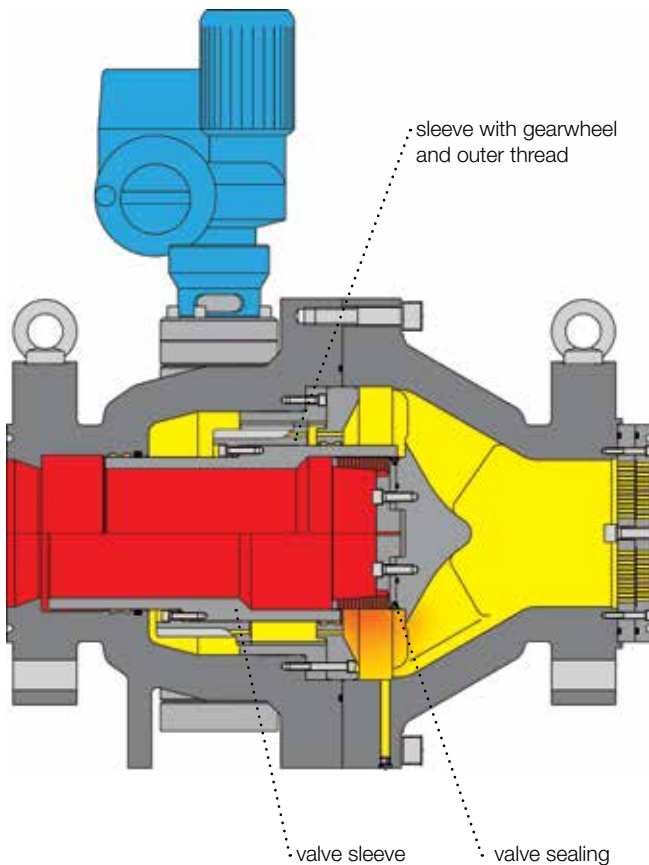
The main valve is easily maintained as only the valve sleeve and the expansion sleeve have to be removed from the body.



### actuator (K 16 for overpressure release)



## main valve DN 200/300 to DN 400/600



The flow control valves starting from inlet pipe dia. DN 200 and upward are designed for axial flow, and therefore a safety shut-off valve cannot be included. The proven valve sleeve system is used, thus enabling complete inlet and outlet pressure compensation. The valve sealing situated in the valve cone guarantees bubble-tight shut-off of the device.

The electric actuator positions the valve sleeve by turning a worm wheel which then turns a sleeve with gearwheel fixed on to the valve sleeve. As the gearwheel sleeve also runs in a threaded outer ring, the rotation of the valve sleeve moves the valve sleeve backward and forward.

The main valve has an integrated noise reducing outlet duct as standard. The principle of multiple expansions, the division of the gas stream and the local confinement of the complete expansion guarantee a noise level reduction of 20 dB(A) to 30 dB(A) compared to a standard valve fitted with valve plate and valve seat.

## example: version DN 300/300 PN 250

## actuator

Different actuator versions can be used: Up to inlet size DN 200 the Honeywell electronic systems need a 230 VAC power supply. Mechanical and electrical position indicators are a standard feature on all actuators. The customer may choose the service side of the main valve (right or left side when looking in flow direction). The handwheel can be used for manual movement of the valve sleeve.

The standard rotary actuators are steered by frequency converters. The advantage of frequency converters is that the turning speed can be varied and thus a much better positioning of the valve sleeve can be achieved compared to standard current switching systems. Together with the automation system Protronic 500 a complete package is available, which permanently adjusts to the prevailing demands. Especially in stations with high pressure differences at the flow control valve the Honeywell system can prove its superiority compared to classic designs.

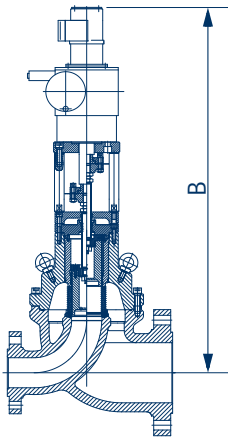
The electronic Honeywell regulating systems are perfectly matched to the individual customer's demands. Experienced Honeywell engineers are at your service for enquiries and support (see also the Honeywell-leaflet „Automation Technology“).

# Flow Control Valve HON 530

## Dimensions and weights

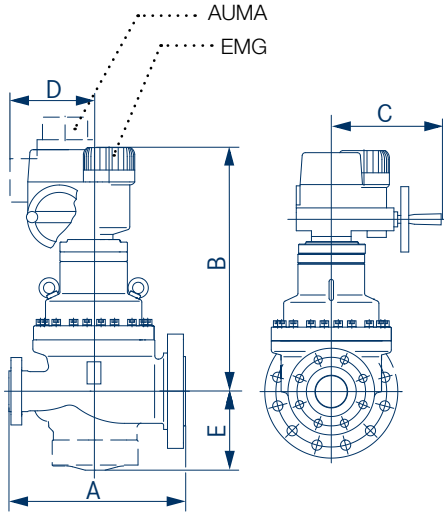
### el. thrust drive

Schoppe & Faeser (S&F)



### el. rotary drive

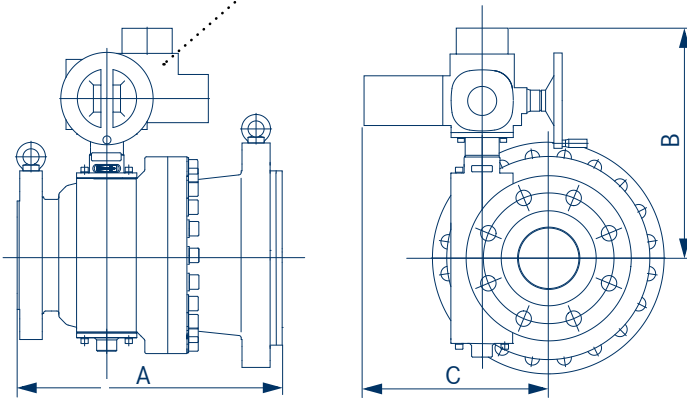
AUMA  
EMG



		DIMENSIONS IN MM			
		size			
		50/100	80/150	100/200	150/300
A		380	550	550	750
B	AUMA	655	720	720	1200
	EMG	695	760	760	1300
C	AUMA	260	260	260	260
	EMG	350	350	350	350
D	AUMA	285	285	285	285
E	m. SAV	170	170	200	-

### el. rotary drive

EMG



		DIMENSIONS IN MM				
		Nennweite				
		200/300	300/300	PN250 250/250	PN250 300/300	400/600
A		660	682	1100	1100	1350
B	AUMA	562	562			
	EMG	600	600	892	892	1230
C	AUMA	445	445			
	EMG	310	310	305	305	-

WEIGHTS								
inlet/outlet	50/100	80/150	100/200	200/300	PN250 250/250	300/300	PN250 300/300	400/600
appr. weight* in kg	140	250	270	530	1700	575	1750	2750

\*) depending on special features

example

HON 530 - 50 / 100 - 1 - R/L - K16 / E2 / F - So

MAIN VALVE		
size		
DN		
50/100		
80/150		
100/200		
150/300		
200/200		
200/300		
200/400		
250/250		
250/400		
300/300		
400/600		
ACTUATOR		
AUMA-motor	1	
EMG-motor	2	
S&F thrust torque (only up to DN 100/300)	3	
ELECTRICAL REGULATOR		
frequency converter	F	
SAFETY SHUT-OFF VALVE (SEE GENERAL DESCRIPTION 711.00)		
setting range in bar (only up to DN 100/200 incl.)		
overpressure release $W_{do}$	underpressure release $W_{du}$	actuator
0,1 ... 1,5	0,01 ... 0,12	K 10a
0,4 ... 4,5	0,06 ... 1,00	K 11a/1
2,5 ... 8,0	0,80 ... 2,20	K 11a/2
1,0 ... 40,0		K 16
	2,00 ... 40,00	K 17
20,0 ... 90,0		K 18
electro-magnetic release upon:		
current impulse	E 1	
power failure	E 2	
remote signalling of valve position „closed“		
	F	
SPECIAL FEATURE (TO BE SPECIFIED)		
	So	

**For More Information**

To learn more about Honeywell's  
Advanced Gas Solutions, visit  
[www.honeywellprocess.com](http://www.honeywellprocess.com) or contact  
your Honeywell account manager

**GERMANY****Honeywell Process Solutions**

Honeywell Gas Technologies GmbH  
Osterholzstrasse 45  
34123 Kassel, Deutschland  
Tel: +49 (0)561 5007-0  
Fax: +49 (0)561 5007-107

HON 530.00  
2017-01  
© 2017 Honeywell International Inc.

**Honeywell**