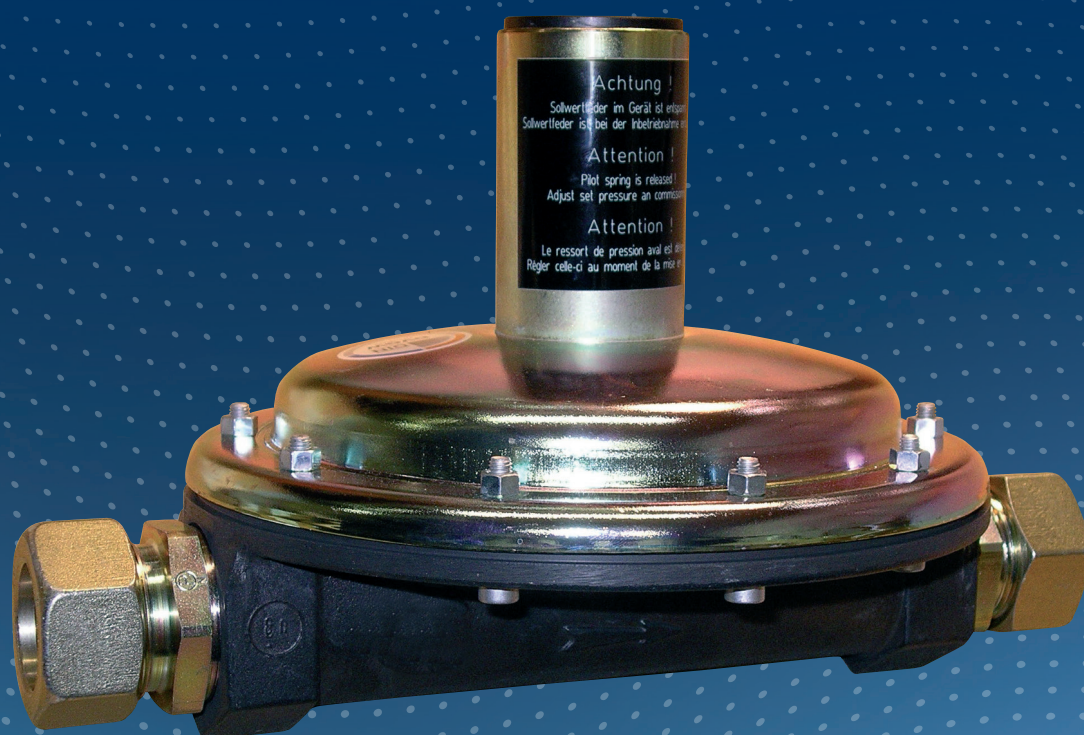


# Safety Relief Valve HON 835



## PRODUCT INFORMATION

**Serving the Gas Industry  
Worldwide**

**Honeywell**

## SAFETY RELIEF VALVE HON 835


Application, advantages, technical data

### Application:

- as leakage relief valve (SBV) in gas pressure regulating stations
- for natural gas according to DVGW G 260, other gaseous media on request

### Advantages:

- simple design
- can be mounted in any position
- safe operation
- high response accuracy

TECHNICAL DATA	
Max. operating pressure $p_{max}$	up to 25 bar
setting ranges $W_{ds}$	0,030 bar to 2,0 bar
valve seat diameter	- measuring unit 0: 3 mm - measuring unit 1 and 2: 25 mm
connections	PN 4 - internal thread G 1 PN 16 and PN 25 - screw connections without brazing to DIN 2353, for outside pipe dia. 12 mm (measuring unit 0), for outside pipe dia. 28 mm (measuring unit 1 and 2)
venting of spring chamber	as a leakage relief valve: internal venting through discharge line as a main safety device: separate connection of vent line with outside pipe dia. 12 mm
materials	main valve                      forged aluminium alloy/cast aluminium alloy spring housing                steel diaphragm                    NBR valve sealing                 FKM
ambient temperature	-15°C to +60°C
function and strength	acc. to DIN 3381
SEP design in accordance with PED	
Ex protection	Since the device is not fitted with potential ignition sources of its own, it is not subject to ATEX 95 (94/9/EG) regulations (all used electronic accessories meet ATEX requirements).

ADJUSTABLE RANGE (MBAR)			
setpoint spring No. colour	measuring unit 0	measuring unit 1	measuring unit 2
1 grey	30 to 45	5 to 30	
2 yellow	35 to 100	15 to 75	
3 ivory	80 to 200	40 to 150	
4 bright red	150 to 300	75 to 200	
5 green	250 to 400	100 to 300	200 to 600
6 light blue	300 to 500	150 to 400	300 to 800
7 dark blue	450 to 1000	200 to 1000	400 to 2000

RESPONSE PRECISION CATEGORY	
measuring unit 0	AG 5 for $p_d < 50$ mbar AG 2,5 for $p_d = 50 \dots 100$ mbar AG 1 for $p_d > 100$ mbar
measuring unit 1	AG 10 for $p_d < 50$ mbar AG 5 for $p_d = 50 \dots 100$ mbar AG 2,5 for $p_d > 100$ mbar
measuring unit 2	AG 5 for $p_d < 400$ mbar AG 2,5 for $p_d \geq 400$ mbar

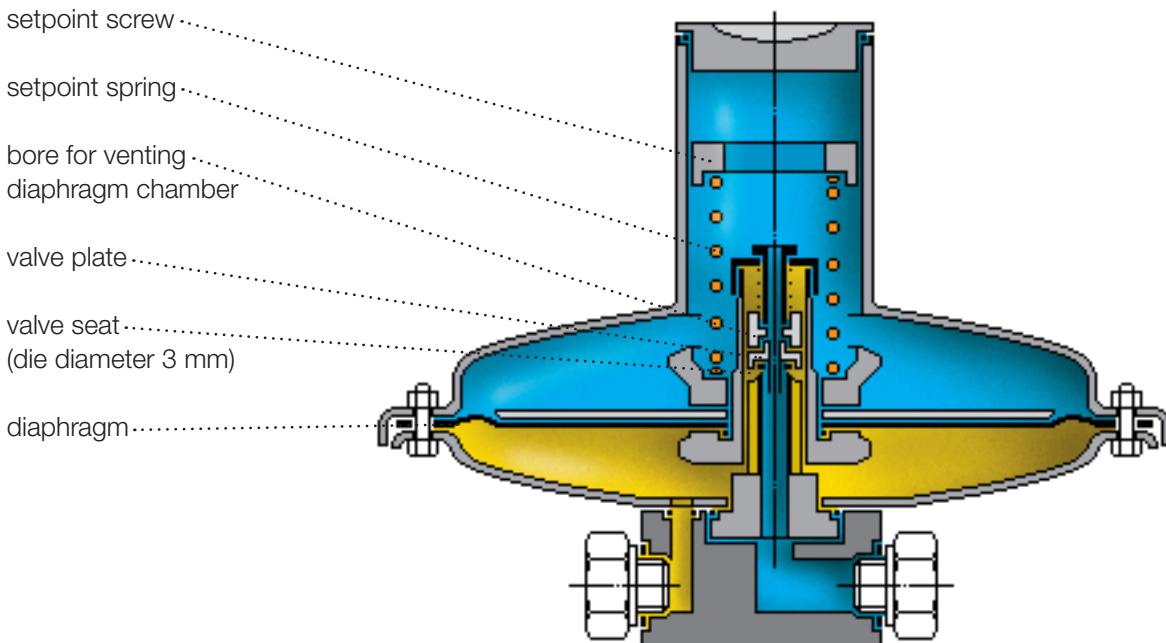
## SAFETY RELIEF VALVE HON 835

### Design and operation

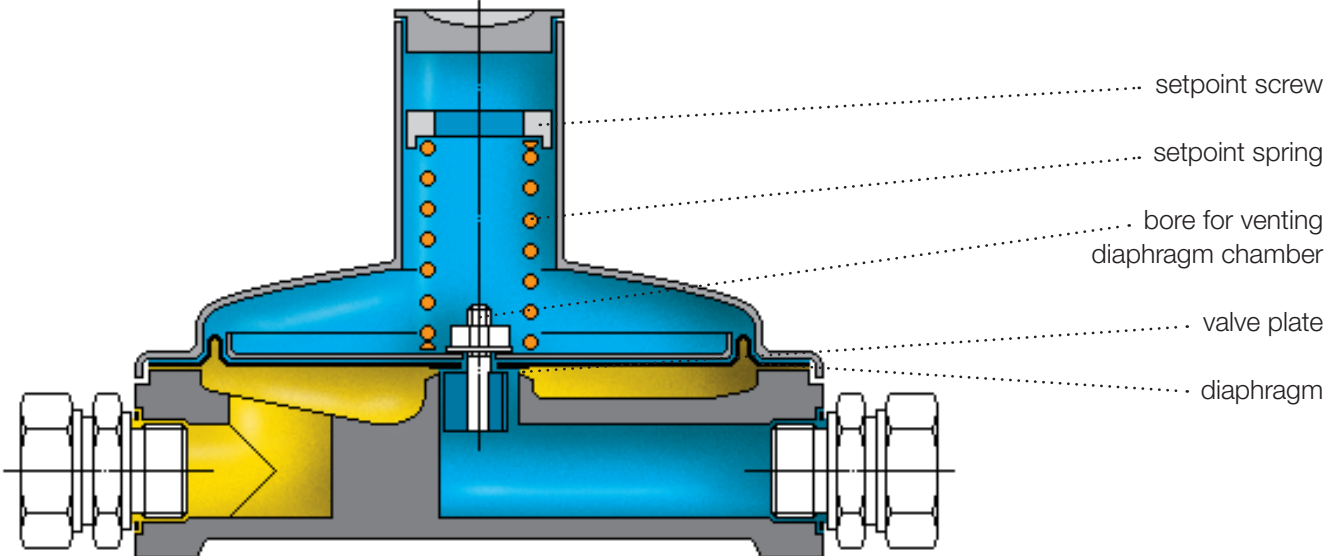
The safety relief valve (SBV) HON 835 was designed to automatically relieve a gas stream of surplus pressure, as soon as the pressure prevailing in the system to be protected rises up to the pre-set response pressure limit. The SBV closes again after the pressure in the line has fallen to the closing point. The HON 835 is mainly used as a leakage relief valve. It is installed downstream of the gas pressure regulator in order to prevent the shut-off valve (SAV) - in its function as a main safety device - from unintended release (i.e. the gas pressure regulator gives no tight shut-off on zero flow).

The pressure prevailing in the system to be monitored is fed to the lower side of the diaphragm through the measuring impulse line, whereas the force of the setpoint spring maintains on the upper side of the diaphragm. If the pressure to be monitored rises up to the pre-set response pressure limit, the diaphragm and the diaphragm plate are pushed upwards from the valve seat, so that the gas can flow into the discharge line. If the pressure falls below the response pressure limit, the SBV will close completely tight again as soon as the pressure is lowered to on the closing pressure level (approx. 0.9 x response pressure). The spring chamber is connected with the discharge line through a bore in the valve plate, so that the installation of a separate vent line is not necessary.

### HON 835 with measuring unit 0

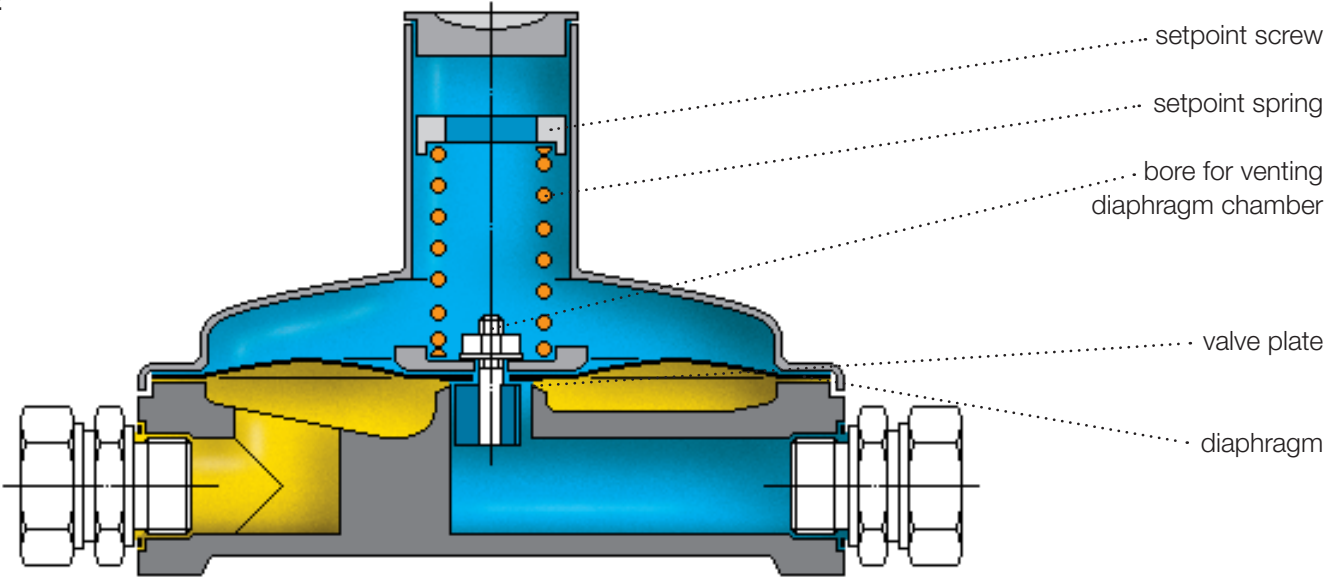



HON 835 with measuring unit 1




HON 835 with meassuring unit

2



outlet pressure 

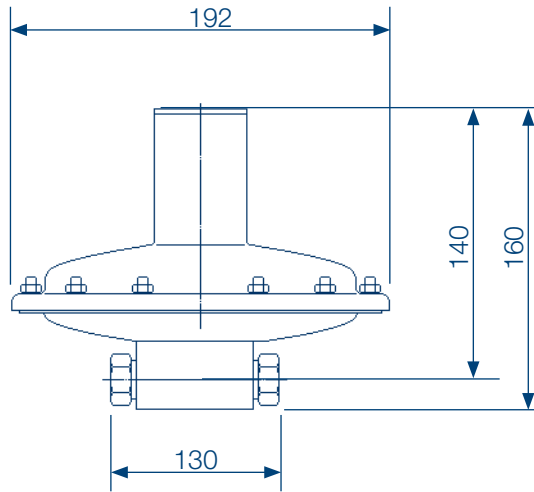
atmosphere 

# SAFETY RELIEF VALVE HON 835

Dimensions, weights and connections

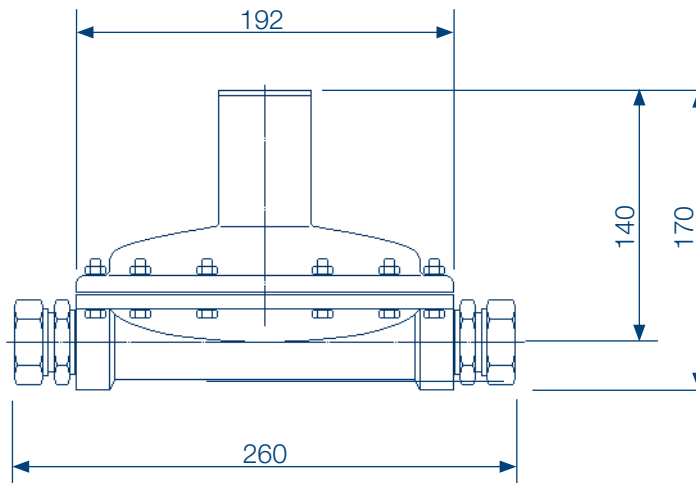
## HON 835 with measuring unit 0

Connecting lines  
thread M 16 x 1,5, for pipe 12 x 1,5  
discharge line connection  
thread M 16 x 1,5, for pipe 12 x 1,5



## HON 835 with measuring unit 1 or 2

measuring impulse connection  
thread G1, or pipe 28 x 1,5  
discharge line connection  
thread G1, or pipe 28 x 1,5



Type Description (Example)

HON 835 - E25/E28 - 25 / 2 - F5



HON-PART-NO.*			
housing with accessoires			
with measuring unit	p <sub>max</sub> 4 bar	p <sub>max</sub> 16 bar	p <sub>max</sub> 25 bar
0	-	10 020 080	-
1 or 2	10 004 720	-	-
1 or 2	-	10 004 700	10 004 721

MEASURING UNITS			
diaphragm assembly	setting range in mbar	HON-part-No. for setpoint spring	
0	30 to 45	10 004 334	0 F1
	35 to 100	10 004 335	0 F2
	80 to 200	10 004 336	0 F3
	150 to 300	10 004 337	0 F4
	250 to 400	10 004 338	0 F5
	300 to 500	10 004 339	0 F6
	450 to 1000	10 004 340	0 F7
1	5 to 30	10 004 334	1 F1
	15 to 75	10 004 335	1 F2
	40 to 150	10 004 336	1 F3
	75 to 200	10 004 337	1 F4
	100 to 300	10 004 338	1 F5
	150 to 400	10 004 339	1 F6
	200 to 1000	10 004 340	1 F7
2	200 to 600	10 004 338	2 F5
	300 to 800	10 004 339	2 F6
	400 to 2000	10 004 340	2 F7

\*) The Honeywell-Part-No. exists on the identification plate of the casing.

**For More Information**

To learn more about Honeywell's  
Advanced Gas Solutions, visit  
[www.honeywellprocess.com](http://www.honeywellprocess.com) or contact  
your Honeywell account manager

**GERMANY****Honeywell Process Solutions**

Honeywell Gas Technologies GmbH  
Osterholzstrasse 45  
34123 Kassel, Deutschland  
Tel: +49 (0)561 5007-0  
Fax: +49 (0)561 5007-107

HON 835.00  
2017-04  
© 2017 Honeywell International Inc.

**Honeywell**