

# Safety Relief Valve HON 873



## PRODUCT INFORMATION

**Serving the Gas Industry  
Worldwide**

**Honeywell**

## SAFETY RELIEF VALVE HON 873


Application, Characteristics, Technical Data

### Application

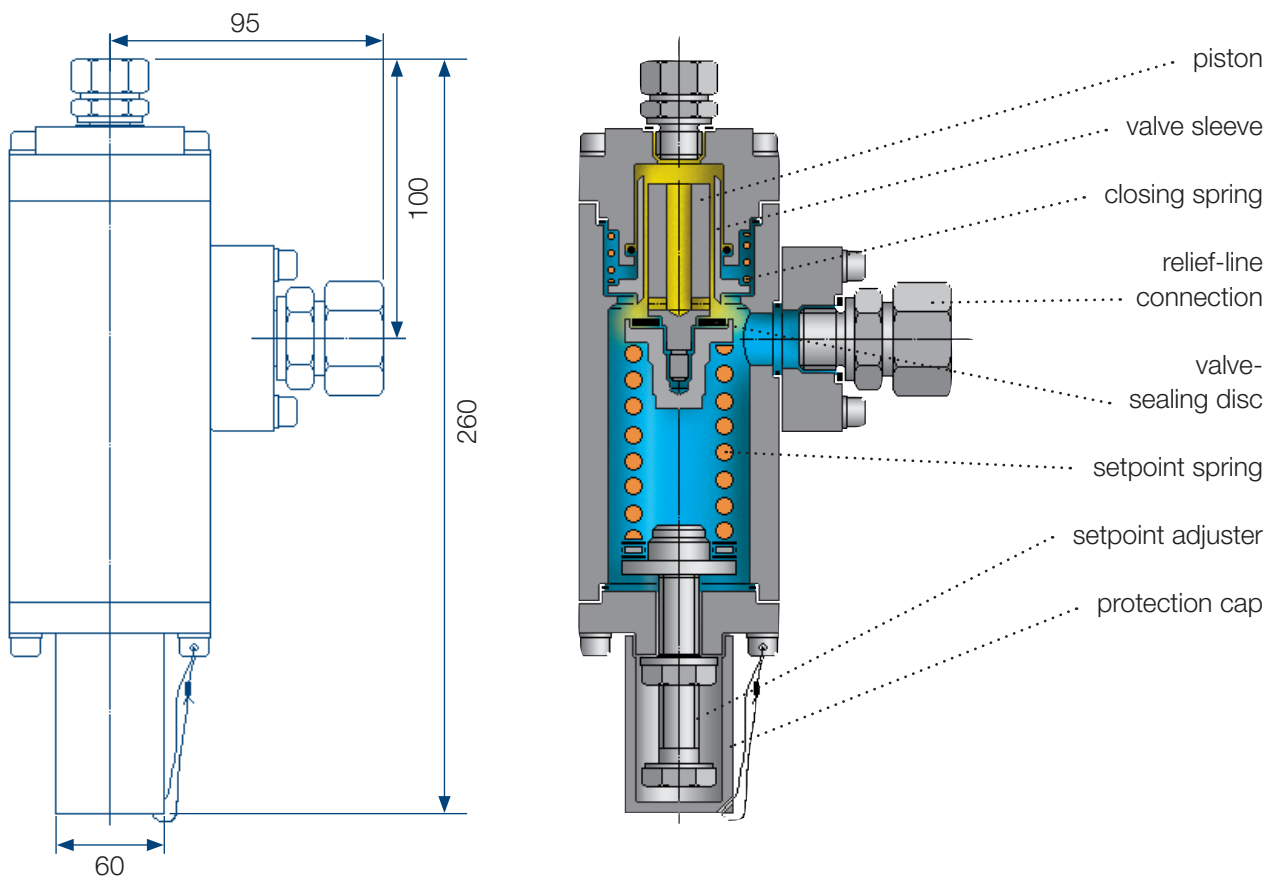
- for venting gas leakages
- for offtake stations in gas transmission and distributing systems, for industrial and power plant supply
- suitable for natural gas according to DVGW G 260, other gases on request

### Characteristics

- direct acting, spring loaded, with proportional opening characteristic
- safe operation
- high response accuracy
- no vent line needed
- simple maintenance

TECHNICAL DATA		
max. operating pressure PS		100 bar
connections		• solderless pipe connection with cutting ring to DIN 2353, for pipe outer diameter inlet: 12 mm / outlet: 20 mm, 25 mm
response precision categories	10 bar to 25 bar ≥ 25 bar to 100 bar	AG 2,5 AG 1
valve seat diameter		24 mm
smallest flow diameter		8 mm
venting of the spring housing		internal, via the outlet connection
material	body parts internal parts valve sealing disc sealings	aluminium alloy, copper-zinc alloy aluminium alloy, copper-zinc alloy plastic material NBR
temperature range		-20°C to +60°C
function and strength		acc. to DIN EN 334
SEP design in accordance with PED		
TÜV-component testing		acc. to AD-leaflet A2 and Vd TÜV-leaflet

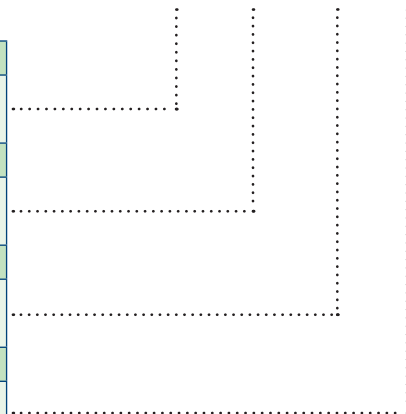
The safety relief valve (SBV) HON 873 is designed to protect station parts from exceedingly high pressure. It consists of the pressure retaining body parts and the internal parts important for function. The pressure to be controlled takes effect on the comparator designed as a valve plate. If the pressure in the system exceeds the value pre-determined by the setpoint spring, the valve opens and the gas is discharged via the outlet connection. If the pressure to be controlled falls below the response pressure (adjusted value), the valve closes automatically. The closing spring of the moving valve sleeve prevents an overcharge of the valve sealing disc, should the pressure to be controlled fall below a certain value. Then the force of the pre-tensioned setpoint spring is compensated by the body via the piston. In order to avoid unwanted changes in the setpoint, the adjusting screw is countered. A sealed protection cap prevents unpermitted setpoint alterations.



**Type Description (example):**

**HON 873 - E12 / E20 - F1**

<b>Type</b>	
HON 873	
<b>connection inlet</b>	
E12	
<b>connection outlet E20/E25</b>	
E20 / E25	
<b>setpoint spring</b>	<b>response pressure</b>
F1	10 to 50 bar
F2	40 to 100 bar



**For More Information**

To learn more about Honeywell's  
Advanced Gas Solutions, visit  
[www.honeywellprocess.com](http://www.honeywellprocess.com) or contact  
your Honeywell account manager

**GERMANY****Honeywell Process Solutions**

Honeywell Gas Technologies GmbH  
Osterholzstrasse 45  
34123 Kassel, Deutschland  
Tel: +49 (0)561 5007-0  
Fax: +49 (0)561 5007-107

HON 873.00  
2017-04  
© 2017 Honeywell International Inc.

The Honeywell logo is displayed in a bold, red, sans-serif font.