

OPERATING AND MAINTENANCE INSTRUCTIONS/
SPARE PARTS

EDITION 01/2017

**Serving the Gas Industry
Worldwide**

Honeywell

Contents

Seite

1.	General information	3
1.1	Safety information	3
2.	Specific maintenance instructions	4
2.1	Tightening torques	4
2.2	Lubricants	4
3.	Spare parts	
3.1	Spare parts drawing	5
3.2	Spare parts list	6
4.	Parts for maintenance purposes	6

1. General information

All persons involved with the assembly, operation and/or maintenance of gas pressure regulators must read and understand all of the following documents:

- Technical product information (brochure *.00) – it contains the technical data and dimensions of the equipment as well as instructions concerning set-up and mode of operation.
- General operating manual for gas pressure regulators and safety devices – this Honeywell document contains information on assembly and operation as well as general information on troubleshooting.
- Operating and maintenance instructions / spare parts (brochure*.20) – this document contains more detailed information on assembly and operation of the gas pressure regulator.
- Filter HON 905 is an integral component of the control unit and is described in this document, "Operating and maintenance instructions, spare parts".

There are national laws and regulations for all sorts of jobs on gas pressure regulators, from planning to maintenance. Be sure to comply. (In Germany, for instance, DVGW work sheets G 600, G 459/II, G 491 and G 495.)

Inspection and maintenance intervals depend mostly on operating conditions and the nature and properties of the gas. There are no general rules or recommendations for intervals. For Germany, we recommend to consider maintenance intervals as stated in DVGW work sheet G 495 in a first instance. However, in the mid-term, intervals must be adapted to the requirements of each specific equipment.


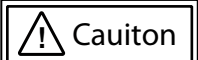
During maintenance, components must be cleaned and then checked thoroughly. This is necessary even if there have been any unusual observations during operation and/or functional testing. Checks must focus, in particular, on diaphragms and seals and all movable parts and their respective bearings. Any and all defective parts must be replaced with new ones. The same applies to O rings removed during disassembly.

Item numbers mentioned in the specific operating and maintenance instructions correspond with the numbers in the spare parts lists and drawings.

Some parts in the lists and drawings are marked with a letter "W". We recommend you always have a reserve of those parts in stock for maintenance purposes. Those spare parts are put together in another separate list at the end of the spare parts list.

1.1 Safety information

In this manual, safety information is highlighted by means of the following titles and eye catchers:

Eye catchers	usede for:
 Danger	Danger to life and limb
 Cauiton	Danger of damage to property and/ or the environment
Note	Important additional information

2. Specific maintenance instructions

- Filter cartridge (6)

Clean cartridge. Be sure to replace if cartridge turns out to be beyond cleaning and/or damaged.

Note

Be sure to fit cartridge correctly. The borehole of the cartridge must face up.

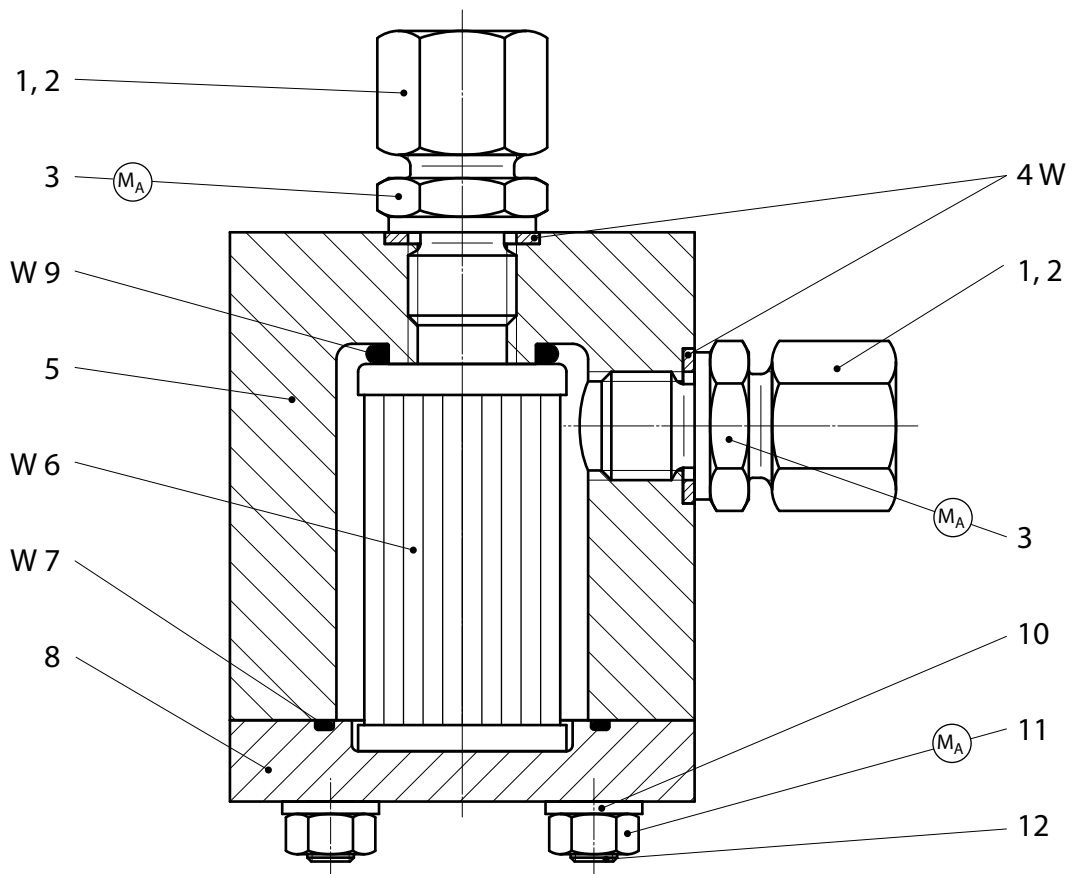
2.1 Tightening torques M_A

Item no.	Tightening torque M_A in Nm
3	40
11	10

2.2 Lubricants

Components (cover with thin layer)	Lubricants	HON-part no.
O-Ring (7)	Silicone grease	27081 (tube 0.1 kg)
All fastening screws		

3.1 HON 905 spare parts drawing



M_A Be sure to comply with tightening torques in table on page 4.

W Parts should be held in stock for maintenance purposes.

3.2 HON 905 spare parts list

Item no.	Denomination	Number	W	Material	Part no
1	Union nut, at option:				
1	Union nut for Ø10 pipe	2		St	30803
1	Union nut for Ø12 pipe	2		St	30804
2	Cutting ring, at option:				
2	Cutting ring for Ø10 pipe	2		St	30903
2	Cutting ring for Ø12 pipe	2		St	30904
3	Connection pipe, at option:				
3	Connection pipe for Ø10 pipe	2		St	30111
3	Connection pipe for Ø12 pipe	2		St	30074
4	Sealing ring	2	W	LM	18842
5	Filter body	1		LM	10000161
6	Filter cartridge	1	W	Filter cloth	26183
7	O ring	1	W	KG	20317
8	Filter cap	1		LM	10000163
9	O ring	1	W	KG	20282
10	Washer	4		St	8279
11	Hex nut	4		St	3399
12	Locking screw	4		St	12218

4. Parts for maintenance purposes

Item no.	Denomination	Number	Part no
4	Sealing ring	2	18842
6	Filter cartridge	1	26183
7	O ring	1	20317
9	O ring	1	20282

W Parts should be held in stock for maintenance purposes.

German abbreviations stand for the following materials:

St ... steel	LM ... light metal / alloy	GMs ... brass casting
NSt ... stainless steel	Ms ... brass	GZn ... zinc casting
FSt ... spring steel	GS ... cast steel	AlBz ... aluminium bronze
NFSt ... stainless spring steel	GGG ... spheroidal graphite cast iron	K ... synthetic materials
Bz ... bronze	GBz ... bronze casting	KG ... gummous synthetic materials
Cu ... copper	GLM ... light metal casting	SSt ... foamed materials

For More Information

To learn more about Honeywell's
Advanced Gas Solutions, visit
www.honeywellprocess.com or contact
your Honeywell account manager

GERMANY**Honeywell Process Solutions**

Honeywell Gas Technologies GmbH

Osterholzstrasse 45

34123 Kassel, Germany

Tel: +49 (0)561 5007-0

Fax: +49 (0)561 5007-107

HON 905.20
2017-01
© 2017 Honeywell International Inc.

The Honeywell logo is displayed in a bold, red, sans-serif font.